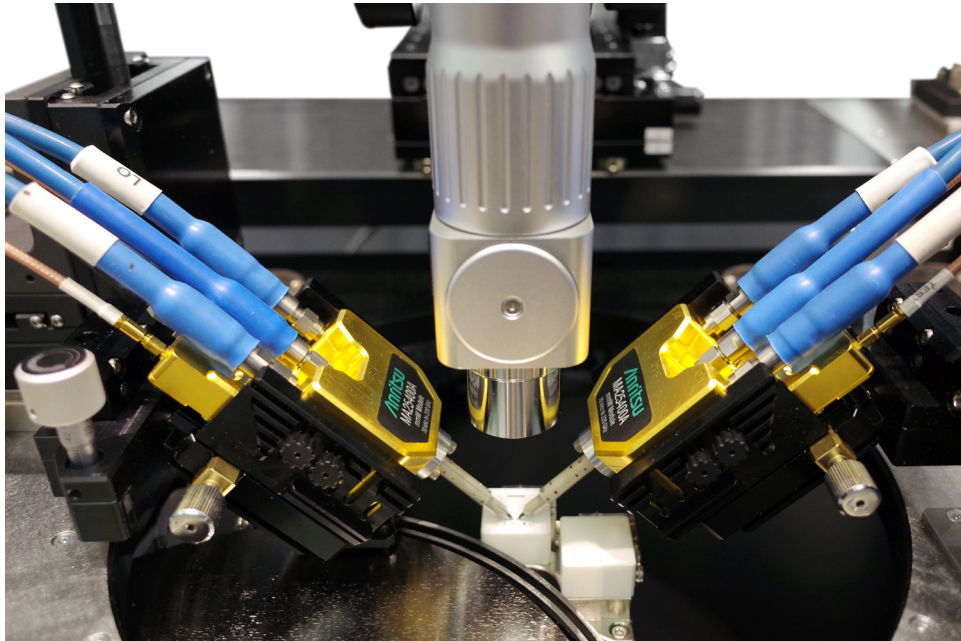


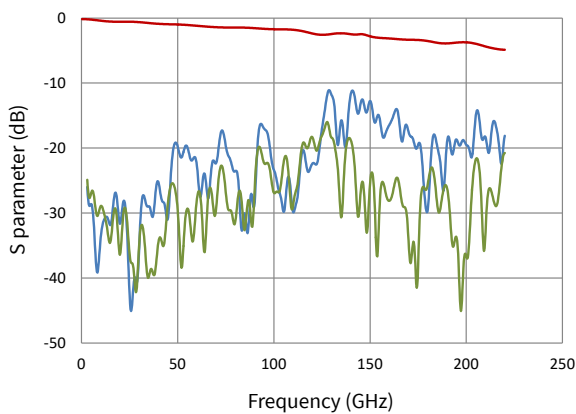
# TITAN™ Probe DC to 220 GHz



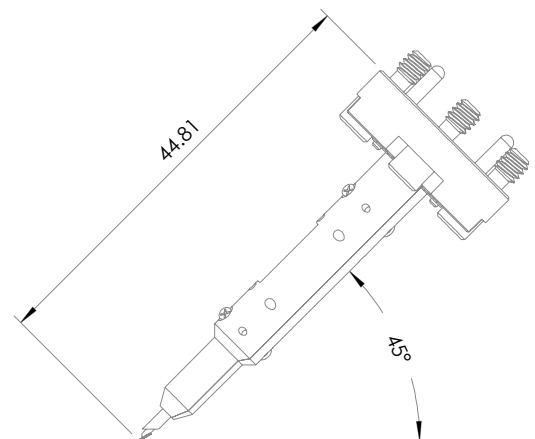
## CHARACTERISTICS

Tip material	Ni alloy
Ground and signal alignment error	< +/- 3 μm
Contact footprint width	15 μm
Contact resistance on Au	< 6 mΩ
Contact resistance on Al	< 45 mΩ
Thermal range	-40 °C ... +150 °C
Pitch range	50, 75, 100 and 125 μm
Tip configuration	GSG
Frequency range	DC to 220 GHz

## TYPICAL ELECTRICAL CHARACTERISTICS

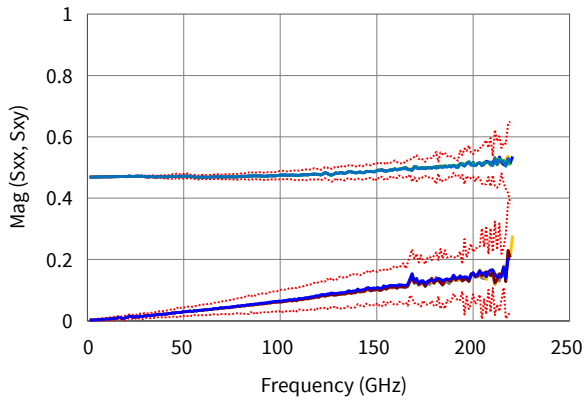


## BODY DIMENSIONS

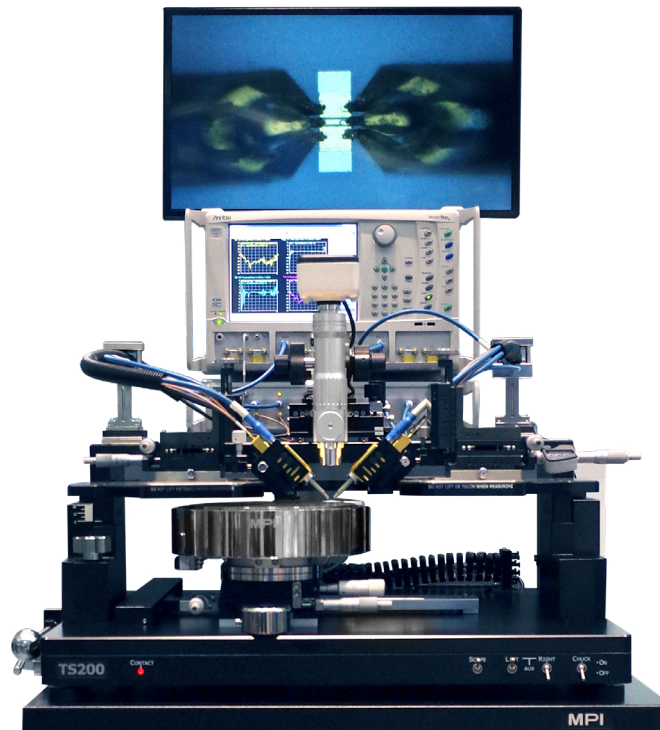
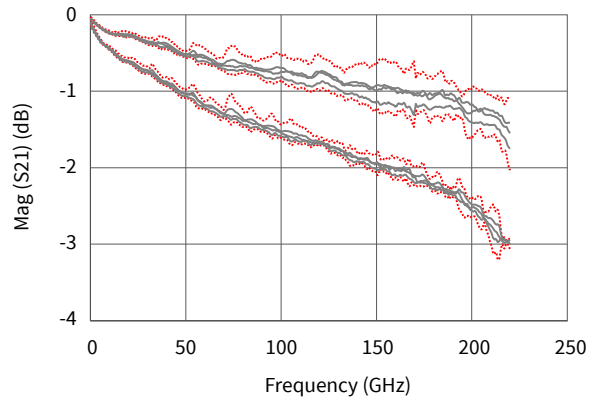


EXAMPLE OF DUT MEASUREMENTS

Five Intra-Laboratory Measurements of a 6 dB Matched Attenuator<sup>1</sup>



Inter-laboratory measurement comparison of two transmission lines<sup>2</sup>



REFERENCES

- [1] A. Rumiantsev, J. Martens and S. Reyes, “ Calibration, Repeatability and Related Characteristics of On-wafer, Broadband 70 kHz–220 GHz Single-Sweep Measurements”, 2020 95th ARFTG Microwave Measurement Conference (ARFTG) 4-6 Aug. 2020, Pages: 1-4.
- [2] A. Rumiantsev, R. Doerner, J. Martens, S. Reyes, “Inter-Laboratory Comparison of On-Wafer Broadband 70 kHz –220 GHz Single-Sweep Measurements,” 51st European Microwave Week EuMW, London 2022.

Direct contact:  
 Asia region: ast-asia@mpi-corporation.com  
 EMEA region: ast-europe@mpi-corporation.com  
 America region: ast-americas@mpi-corporation.com

MPI global presence: for your local support, please find the right contact here:  
[www.mpi-corporation.com/ast/support/local-support-worldwide](http://www.mpi-corporation.com/ast/support/local-support-worldwide)

© 2022 Copyright MPI Corporation. All rights reserved.

MPI Global Presence

